

## Adsorption dryer DDAP35

Rev 01\_0125

### Technical data sheet

Page 1 of 2

| Nominal capacity (based on ambient conditions 14.5 psi, 68 °F) | Unit              | Design data |
|--|-------------------|-------------|
| Volume flow inlet  | scfm              | 35          |
| Volume flow outlet   | scfm              | 30          |
| Average purge air  | scfm              | 4,9         |
| Compressed air inlet temperature                               | °F                | 95          |
| Working pressure   | psig              | 102         |
| Pressure dew point   | °F                | -40         |
| Residual oil content   | mg/m <sup>3</sup> | x           |

| General data                | Unit | Design data |
|-----------------------------|------|-------------|
| Maximum operating pressure  | psig | 232         |
| Minimum operating pressure  | psig | 58          |
| Maximum inlet temperature   | °F   | 122         |
| Ambient temperature minimum | °F   | 35,6        |

| Norms and key figures  | Unit | Design data       |
|------------------------|------|-------------------|
| North America          |      | ASME B31.3 - 2020 |
| Canada                 |      | CSA B-51          |
| Testing pressure       | psig | 348               |
| Sound insulation level |      | ISO 85            |

| Scope of supply                  | Unit | Design data |
|----------------------------------|------|-------------|
| Ready-to-operate desiccant dryer | Type | DDAP35      |
| Control unit                     | Type | ECOMATIC22  |
| Pre filter                       | Type | APF55SMA    |
| Final filter                     | Type | APF55DMF    |
| Desiccant filling                | Type | Alumina     |

| Options                  | Unit   |
|--------------------------|--|
| Controls                 | Dew point device ETC4.0<br>Dew point device ETP4.0 (incl. inlet air control) |
| Minimum pressure devices | AV G 1/2", AV G 3/4"   |

| Cycles                 | Unit | Design data |
|------------------------|------|-------------|
| Total                  | min  | 10          |
| Adsorption             | min  | 4,5         |
| Regeneration           | min  | 4,5         |
| Pressure build-up time | min  | 1           |

## Adsorption dryer DDAP35

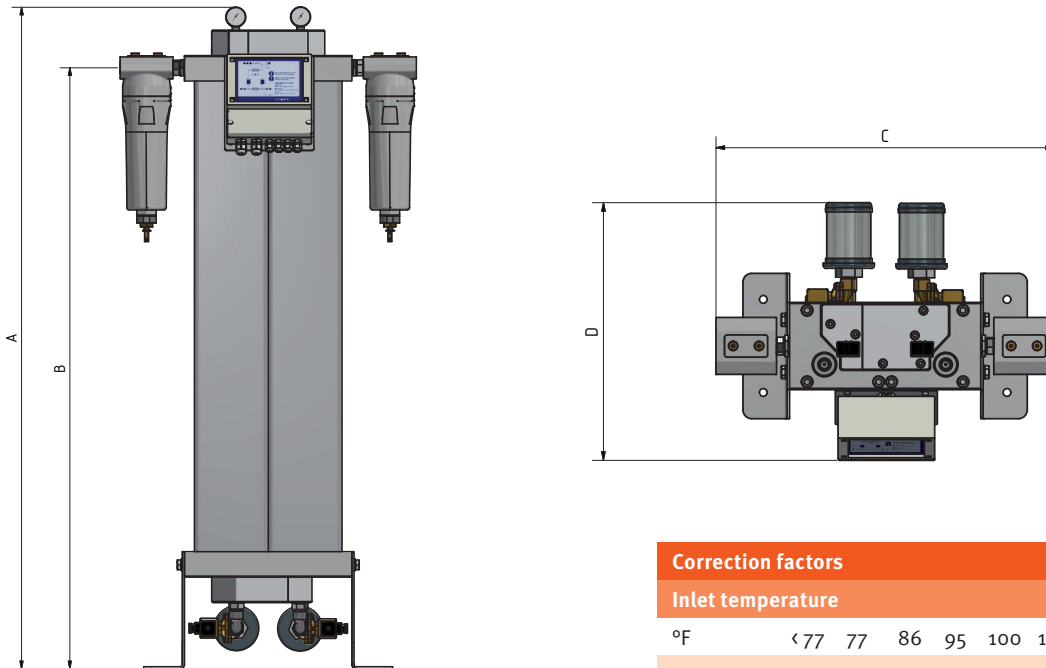
Rev 01\_0125

### Technical data sheet

| Dimensions and weights           | Unit   | Design data |
|----------------------------------|--------|-------------|
| A                                | inch   | 42,24       |
| B                                | inch   | 38,1        |
| C                                | inch   | 18,28       |
| D                                | inch   | 16,51       |
| Nominal size inside the adsorber | inch   | 1/2" NPT    |
| Connection input                 | inch   | 1/2" NPT    |
| Output connection                | inch   | 1/2" NPT    |
| Total weight                     | lbs    | 94,6        |
| Vessel volume                    | gallon | 1,8         |

| Electrical data          | Unit | Design data |
|--------------------------|------|-------------|
| Installed capacity       | HP   | 0,043       |
| Connector                | V    | 115         |
| Control voltage          | V    | 115         |
| Rate                     | Hz   | 50 / 60     |
| Protection class housing | IP   | 54          |

### Dimensional drawings



| Correction factors |   |
|--------------------|---|
| Inlet temperature  |   |
| °F                 | < 77 77 86 95 100 104 113 118 122       |
| F(t)               | 1,2 1,1 1,09 1 0,84 0,78 0,72 0,65 0,58 |

| Correction factors working pressure |  |
|-------------------------------------|--|
| psig                                | 58 65 72,5 80 87 94 102 109 116 123 130 138 145 152 160 167 174 181 189 196 203 210 218 225 232                      |
| F(p)                                | 0,6 0,7 0,74 0,82 0,89 0,97 1 1,08 1,11 1,16 1,22 1,29 1,36 1,42 1,5 1,57 1,63 1,69 1,75 1,83 1,9 1,96 2,03 2,1 2,14 |

Please multiply the capacity with the correction factors in the above table