

Adsorption dryer DDAP65

Rev 02_0425

Technical data sheet

Page 1 of 2

Nominal capacity (based on ambient conditions 14.5 psi, 68 °F)	Unit	Design data
Volume flow inlet	scfm	65
Volume flow outlet	scfm	56
Average purge air	scfm	9.1
Compressed air inlet temperature	°F	95
Working pressure	psig	102
Pressure dew point	°F	-40
Residual oil content	mg/m ³	x

General data	Unit	Design data
Maximum operating pressure	psig	196
Minimum operating pressure	psig	58
Maximum inlet temperature	°F	122
Ambient temperature minimum	°F	35.6

Norms and key figures	Unit	Design data
North America		ASME B31.3 - 2020
Canada		CSA B-51
Testing pressure	psig	348
Sound insulation level		ISO 85

Scope of supply	Unit	Design data
Ready-to-operate desiccant dryer	Type	DDAP65
Control unit	Type	ECOMATIC22
Pre filter	Type	APF70-12SMA
Final filter	Type	APF70-12DMF
Desiccant filling	Type	Alumina

Options	Unit
Controls	Dew point device ETC4.0
	Dew point device ETP4.0 (incl. inlet air control)
Minimum pressure devices	AV G 1/2", AV G 3/4"

Cycles	Unit	Design data
Total	min	10
Adsorption	min	4.5
Regeneration	min	4.5
Pressure build-up time	min	1

Adsorption dryer DDAP65

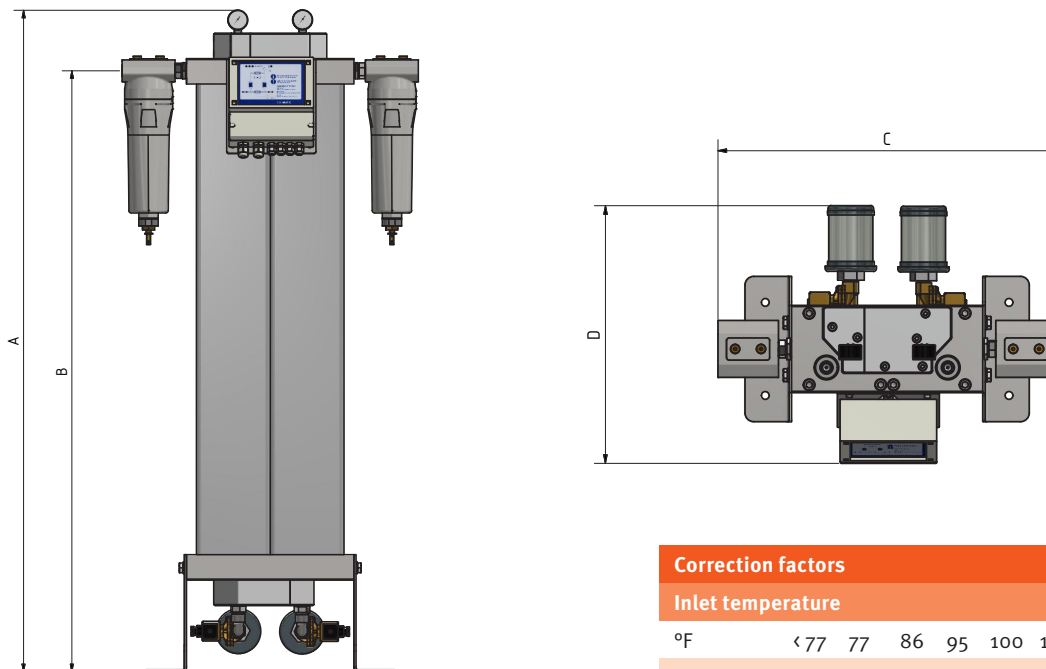
Rev 02_0425

Technical data sheet

Dimensions and weights	Unit	Design data
A	inch	51.18
B	inch	46.49
C	inch	22.93
D	inch	17.41
Nominal size inside the adsorber	inch	1/2" NPT
Connection input	inch	1/2" NPT
Output connection	inch	1/2" NPT
Total weight	lbs	160.6
Vessel volume	gallon	3.83

Electrical data	Unit	Design data
Installed capacity	HP	0.043
Connector	V	115
Control voltage	V	115
Rate	Hz	50 / 60
Protection class housing	IP	54

Dimensional drawings



Correction factors

Inlet temperature

°F	< 77	77	86	95	100	104	113	118	122
F(t)	1.2	1.1	1.09	1	0.84	0.78	0.72	0.65	0.58

Correction factors working pressure

psig	58	65	72.5	80	87	94	102	109	116	123	130	138	145	152	160	167	174	181	189	196	203	210	218	225	232
F(p)	0.6	0.7	0.74	0.82	0.89	0.97	1	1.08	1.11	1.16	1.22	1.29	1.36	1.42	1.5	1.57	1.63	1.69	1.75	1.83	1.9	1.96	2.03	2.1	2.14

Please multiply the capacity with the correction factors in the above table